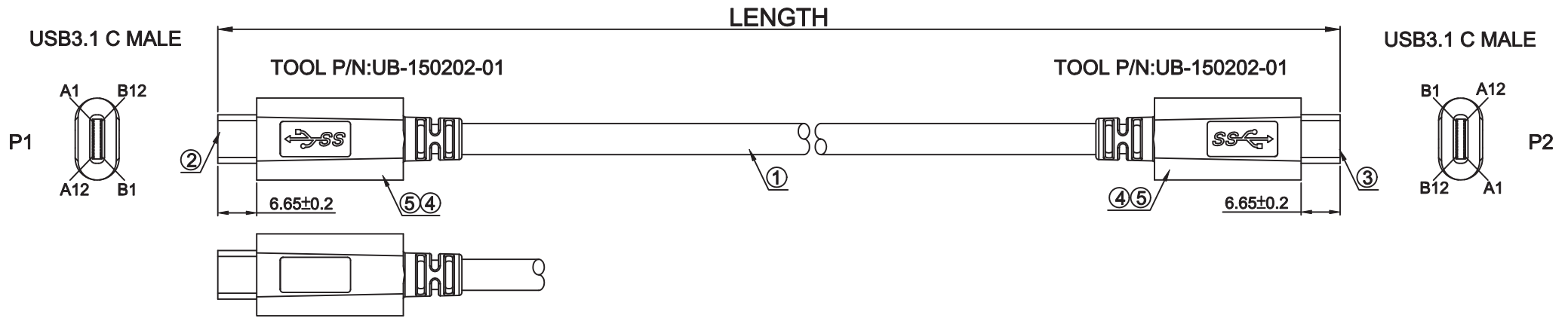
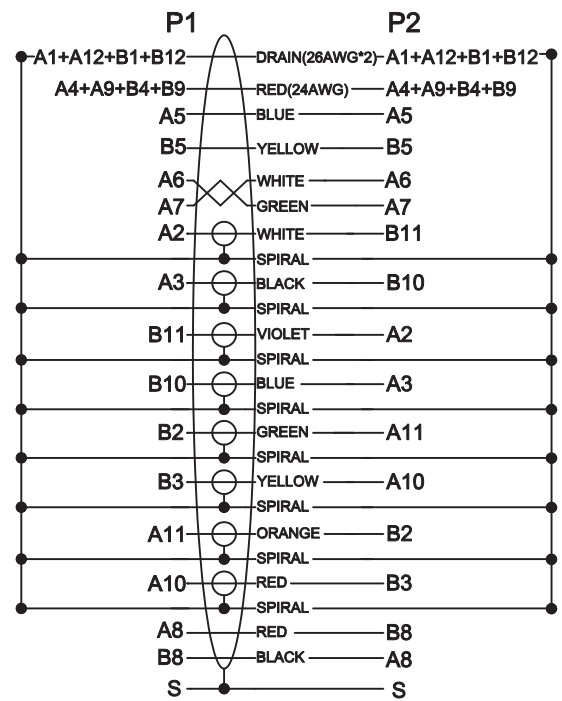


DESCRIPTION CONTROL			
REV	DESC	DATE	APP
A	FIRST RELEASE	2016/03/29	



**NOTES:**  
 1. PIN ASSIGNMENT SEE TO WIRE LIST.  
 2. ELECTRICAL TEST CONDITION:  
 (a). 100% OPEN, SHORT & MISWIRE TEST,  
 (b). INSULATOR RESISTANCE: 20 Mohm MIN.  
 DC 300V 0.01Sec.  
 (c). CONTACT RESISTANCE: 3ohm MAX.

**PIN ASSIGNMENT**



**Seconn International Enterprise Co., Ltd.**

	REV.	P/N NO: SE-S-1380		
	A	USB 3.1 C Male to Male cable Male		
DRAW, BY:		SCALE	UNIT	SHEET
CHECK, BY:		FREE	mm	1/1
APP, BY:				

ITEM	QTY	PART NUMBER	DESCRIPTION
5		G0001	ALL CONNECTORS OVERMOLD BLACK PVC.
4	2		USB3.1 C TYPE PLUG METAL CAN.
3	1		USB3.1 C TYPE(3.1C-G4-C1) MALE BLUE INSULATOR SOLDER TYPE.
2	1		USB3.1 C TYPE(3.1C-G3-C1-E) MALE BLACK INSULATOR SOLDER TYPE.
1	1		(32AWG*1C+SAM)*8+(32AWG*2C+32AWG*4C+2EA)+24AWG*1C+SEMI CONDUCTIVE TAPE +B OD:4.8MM BLACK PVC JACKET.